



# BT9909

# SYSTEM X™

## POP-OUT ULTRA STRETCH SIGNAGE MOUNT FOR LG® 86BH5C

### INSTALLATION GUIDE & PARTS LIST

This Pack Contains 1 Wall Mount

PLEASE KEEP THIS FOR FUTURE REFERENCE

#### FEATURES



- Ideal for portrait mounting LG's 86BH5C Ultra Stretch Signage in a recessed wall
- Recommended screen size: 86"
- Max load: 50kg
- Max VESA® fixings: 600 x 200mm
- Depth (with micro-adjustment): 125mm - 139mm
- Distance from wall (popped out): 304mm - 319mm
- Features pop-in, pop-out function to allow access to the rear of screen for servicing and maintenance and to aid installation
- Tool-less micro-adjustment for seamless display alignment
- Arms include locking screw to prevent accidental pop-out of screens
- Safety screws help prevent unauthorised removal of screens
- All mounting hardware included



#### CONTENTS

Installation Safety Notes.....	2
Parts List.....	4
Installation Instructions.....	6
Product Dimensions.....	14
Recess Mounting.....	15
B-Tech Contact Details.....	16

#### INSTALLATION TOOLS REQUIRED

Crosshead screwdriver



Drill



10mm masonry bit or 6mm wood bit



Pencil



10mm spanner or socket (optional)



Level (optional)



Stud finder (optional)



### B-TECH AUDIO VIDEO MOUNTS

[www.btechavmounts.com](http://www.btechavmounts.com)

# INSTALLATION SAFETY INSTRUCTIONS



**CAUTION:** This mount is intended for use only with the maximum weights indicated. Use with flat screens heavier than the maximum indicated may result in instability causing possible injury.

Do not attempt to install this product until all instructions and warnings have been read and properly understood. Please keep these instructions for future reference. Please check carefully to make sure there are no missing or defective parts - defective parts must never be used. B-Tech International Design and Manufacturing Limited, its distributors and dealers are not liable or responsible for damage or injury caused by improper installation, improper use or failure to observe these safety instructions. In such cases, all guarantees will expire.

## **General**

B-Tech International Design and Manufacturing Limited recommends that a professional AV installer or other suitably qualified person install this product. Great care must always be taken during installation as most AV equipment is of a fragile nature, possibly heavy and easily damaged if dropped. If you do not fully understand the instructions or are not sure how to install this product safely, then please consult a professional for advice and/or to install this product for you. Failure to mount this product correctly may cause serious injury or death both during installation and at any time thereafter. Do not mount any AV equipment that exceeds the specific weight limit of the product you are installing. This weight limit will be clearly stated on each product and its packaging and will vary from product to product.

## **Product location**

Please pay careful attention to where this product is located. Check load capacity of wall prior to installation as some walls are not suitable for installation. Designed for indoor use, this mount is suitable for public or home installation. If located in a public or frequently populated area ensure that the product is out of the immediate reach of people. If any AV equipment is to be suspended over the likely path or location of people then great care should be taken to secure all parts of the installation from falling. If you install this product on drywall it must be securely fixed to a wooden stud, concrete block or other permanent structure behind the drywall board. Installing on drywall boards alone will not support the weight of most AV equipment. When drilling holes in walls it is essential to avoid contact with electrical cables and water or gas pipes contained within. Use of a good quality live wire detector and hidden object locator is therefore recommended. Only drill into structures when you are sure it is safe to do so.

## **Fixing hardware**

It is highly recommended that all wall fixing screws be used where supplied and that the purpose of all other fixing hardware is fully understood. In some cases more AV equipment fixing hardware will be supplied to accommodate different models of equipment and set up configurations. The installer must be satisfied that any supplied fixing hardware is suitable for each specific installation. If any fixing screws or included hardware are deemed not sufficient for a safe installation then please consult a professional or your local hardware store.

## **Hazard limitation**

When routing cables take advantage of any built in cable management features that the product might provide and ensure that all cables are tidy and secure. Check to see that any moving aspect of the product can do so unhindered by any cabling. Some products have moving parts and the potential to cause injury through the crushing or trapping of fingers or other body parts. Particular attention to the nature of moving parts is required especially when assembling installing and adjusting during set up. Immediately after installations double-check that the work done is safe and secure. Double-check all necessary fixings are present and are of ample tightness. It is recommended that periodic inspections of the product and its fixing points are made as frequently as possible to ensure that safety is maintained. If in doubt consult a professional AV installer or other suitably qualified person.

CS

Společnost B-Tech International Design And Manufacturing Ltd. doporučuje provést instalaci tohoto produktu instalátora AV či jinak způsobilé osoby. Společnost B-Tech International Design And Manufacturing Ltd, její distributoři a prodejci nenesou prostřednictvím odborného odpov. édnost za škody nebo zranění způsobená nevhodnou instalací. Tento výrobek je nutno umístit do vhodné konstrukce a používat jen po uvedené maximální výšce.

DE

B-Tech International Design And Manufacturing Ltd. empfiehlt, dass dieses Produkt durch einen qualifizierten AV-Techniker oder eine andere Person mit geeigneter Qualifikation installiert wird. B-Tech International Design And Manufacturing Ltd, ihre Distributoren und Händler können nicht für durch fehlerhafte Montage verursachte Beschädigung oder Verletzung haftbar bzw. verantwortlich gemacht werden. Dieses Produkt muss auf eine geeignetem Untergrund montiert werden und darf nur bis zum angegebenen Höchstgewicht verwendet werden.

ES

B-Tech International Design And Manufacturing Ltd. recomienda que un instalador de audio y video profesional u otra persona debidamente cualificada instalen este producto. B-Tech International Design And Manufacturing Ltd, sus distribuidores y concesionarios no se hacen cargo ni se responsabilizan de ningún daño o lesión provocados por una instalación inapropiada. Este producto se debe montar en una estructura adecuada y se debe utilizar soportando solamente hasta el peso máximo indicado.

FR

B-Tech International Design And Manufacturing Ltd. recommande de confier l'installation de ce produit à un installateur AV professionnel ou à une autre personne dûment qualifiée. B-Tech International Design And Manufacturing Ltd, ses distributeurs et ses revendeurs ne sauraient être tenus responsables de tout dégât ou de toute blessure résultant d'une installation incorrecte. Ce produit doit être monté sur un support approprié et utilisé dans la limite du poids maximum indiqué.

IT

B-Tech International Design And Manufacturing Ltd. consiglia di affidare l'installazione di questo prodotto a un installatore specializzato o ad altra persona adeguatamente qualificata. B-Tech International Design And Manufacturing Ltd, i suoi distributori e rivenditori non accettano alcuna responsabilità nei riguardi di eventuali danni o infortuni causati da un'errata installazione. Questo prodotto deve essere fissato a una struttura idonea e utilizzato unicamente sino al peso massimo indicato.

NL

B-Tech International Design And Manufacturing Ltd. adviseert om dit product te laten installeren door een professionele AV-instalateur of andere hiervoor gekwalificeerde persoon. B-Tech International Design And Manufacturing Ltd, haar distributeurs en dealers zijn niet aansprakelijk of verantwoordelijk voor schade of letsel die is veroorzaakt door onoordeelkundige installatie. Dit product moet worden gemonteerd aan een geschikte constructie, waarbij het aangegeven maximum gewicht niet mag worden overschreden.

PL

Firma B-Tech International Design And Manufacturing Ltd. zaleca, aby ten produkt był instalowany przez profesjonalnych instalatorów AV lub inny odpowiednio przeszkolony personel. Firma B-Tech International Design And Manufacturing Ltd, jej dystrybutorzy i dealerzy nie ponoszą odpowiedzialności za uszkodzenia lub obrażenia ciała powstałe w wyniku nieprawidłowej instalacji. Niniejszy produkt musi być zamontowany na odpowiedniej powierzchni, a podczas u żytkowania nie wolno przekraczać podanego maksymalnego obciążenia.

PT

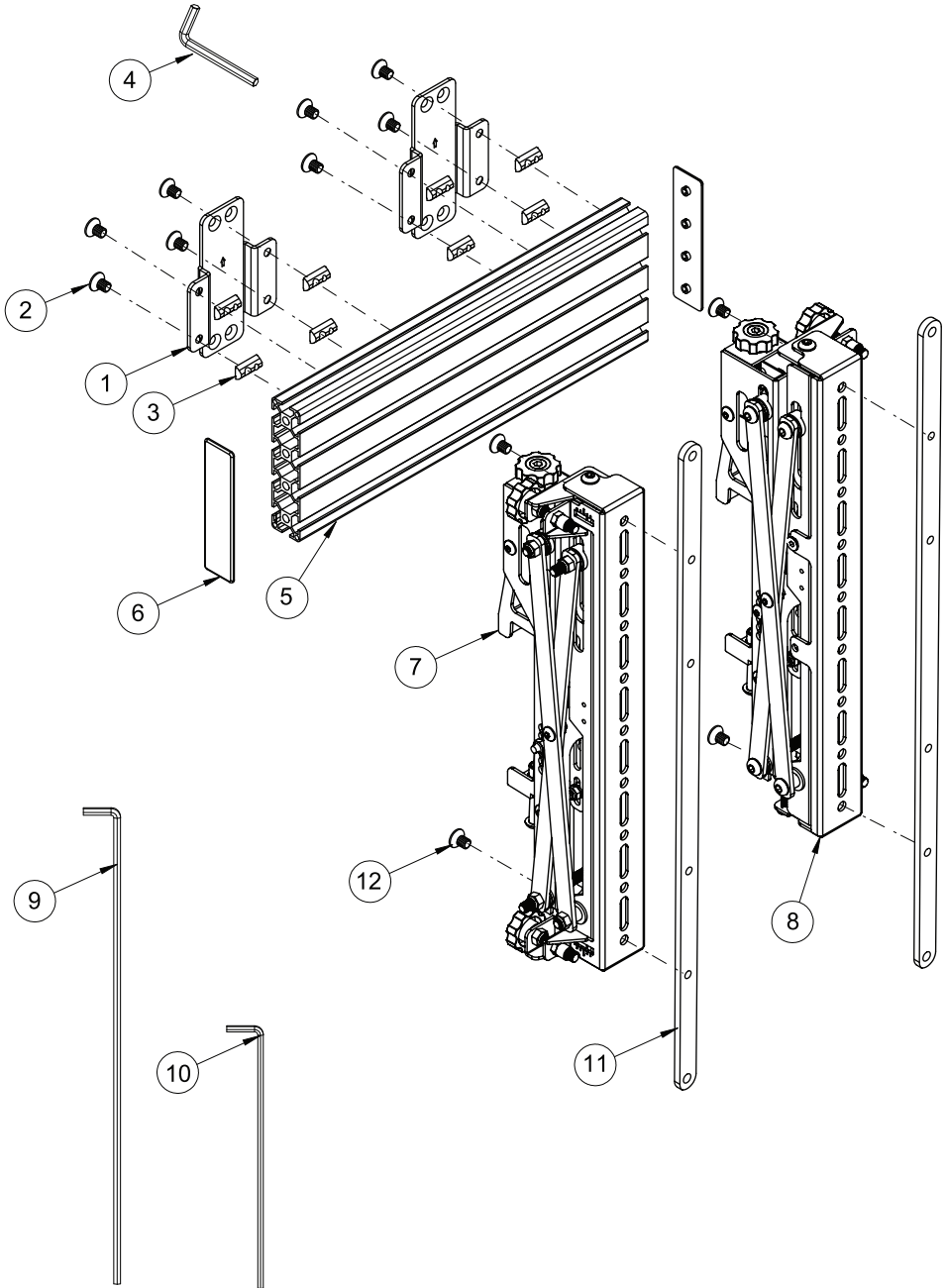
A B-Tech International Design And Manufacturing Ltd. recomenda que a instalação deste produto seja efectuada por um instalador de AV instalador de AV profissional ou outra pessoa devidamente habilitada. A B-Tech International Design And Manufacturing Ltd. e os seus distribuidores e concessionários não são responsáveis por danos ou lesões causados por uma instalação incorrecta. Este produto tem de ser montado numa estrutura adequada e utilizado somente até ao peso máximo indicado.

RU

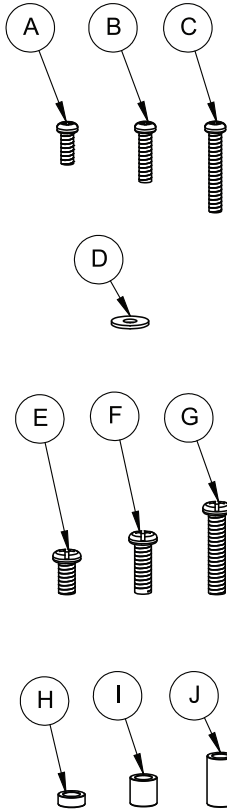
Компания B-Tech International Design And Manufacturing Ltd. рекомендует, чтобы установка данного изделия производилась инженером по установке аудио-видеотехники или другим специалистом с соответствующей квалификацией. Компания B-Tech International Design And Manufacturing Ltd. ее дистрибьюторы и дилеры не несут ответственности за повреждения или травмы, полученные в результате неправильной установки. Данное изделие должно

توصي بي- تك للتجارة الدولية المحدودة بأن شخص محترف في تركيب ال AV او شخص مؤهل تأهيلا مناسباً لتركيب هذا المنتج. بي- تك للتجارة الدولية، موز عليها والتجار ليست عرضة أو مسؤولة عن الأضرار أو الإصابات الناجمة عن تركيب غير سليم، والاستخدام غير السليم أو عدم مراعاة هذه التعليمات للسلامة. يجب أن يتم تركيب هذا المنتج في بنية مناسبة ويجب استخدام فقط لدعم الحد الأقصى للوزن المشار إليه.

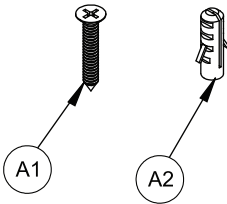
**BT9909**  
**PARTS LIST**



SCREEN FIXING KIT



WALL FIXING KIT



REF	PART NAME	QTY
1	WALL FIXING PLATE	2
2	M8 x 12mm CSK SCREW	8
3	M8 SLIDING NUT	8
4	5AF HEX KEY	2
5	MOUNTING RAIL L:300mm	1
6	END CAP	2
7	INTERFACE ARM (LEFT)	1
8	INTERFACE ARM (RIGHT)	1
9	5AF LONG HEX KEY	1
10	4AF HEX KEY	1
11	600mm ADAPTOR ARM	2
12	M6 x 12mm SCREW	4
<b>SCREEN INTERFACE KIT</b>		
A	M6 x 16mm SCREW	4
B	M6 x 25mm SCREW	4
C	M6 x 40mm SCREW	4
D	WASHER	4
E	M8 x 16mm SCREW	4
F	M8 x 25mm SCREW	4
G	M8 x 40mm SCREW	4
H	5mm SPACER	4
I	13mm SPACER	4
J	24mm SPACER	4
<b>WALL FIXING KIT</b>		
A1	ST8 x 50mm WOOD SCREW	8
A2	N°10 WALL PLUG	8

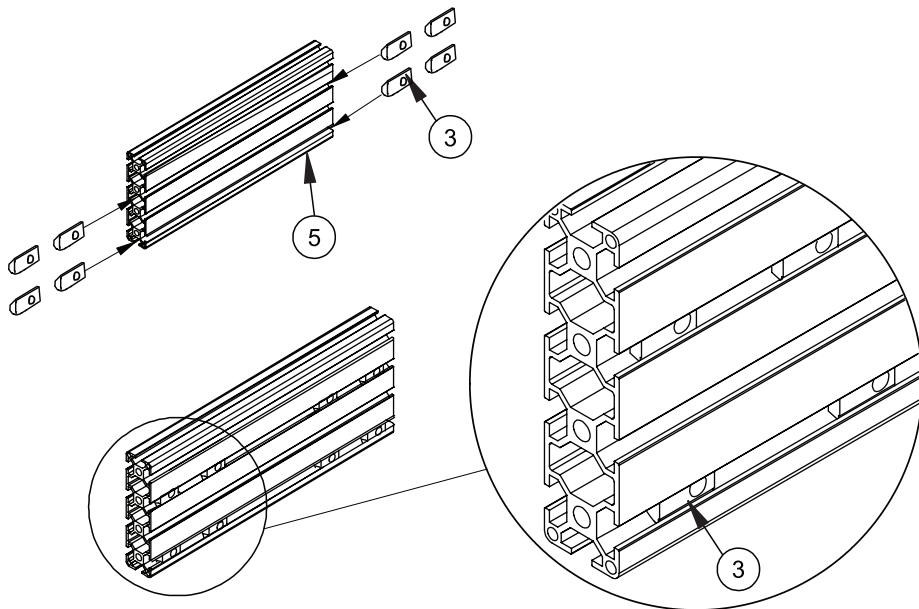
PLEASE KEEP FOR FUTURE REFERENCE

# INSTALLATION INSTRUCTIONS

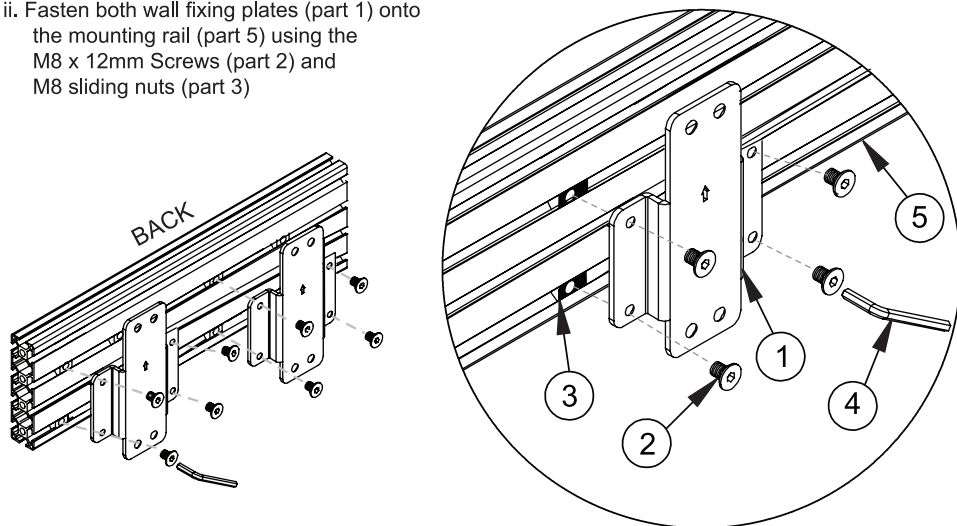
1

## Attach Wall Fixing Plates to Mounting Rail

- i. Insert 4 x M8 sliding nuts (part 3) on each side of the mounting rail (part 5).  
Two in the second slot / two in the bottom slot.

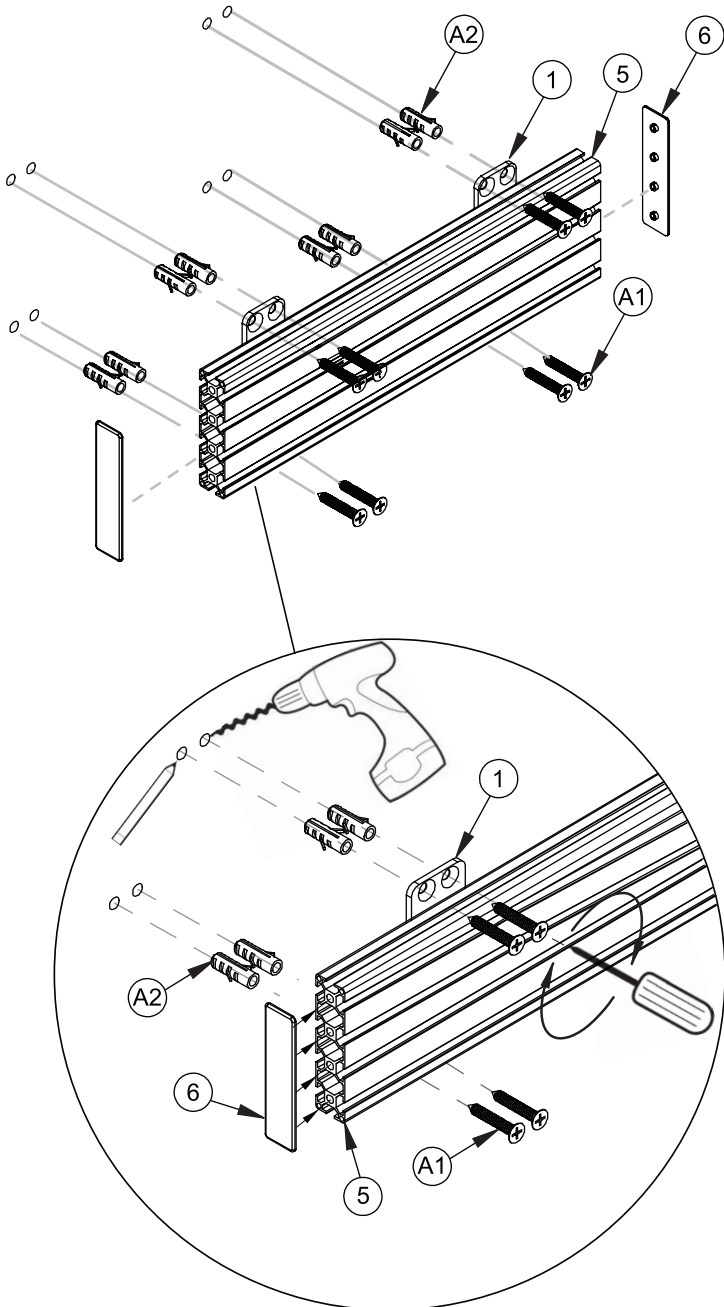


- ii. Fasten both wall fixing plates (part 1) onto the mounting rail (part 5) using the M8 x 12mm Screws (part 2) and M8 sliding nuts (part 3)



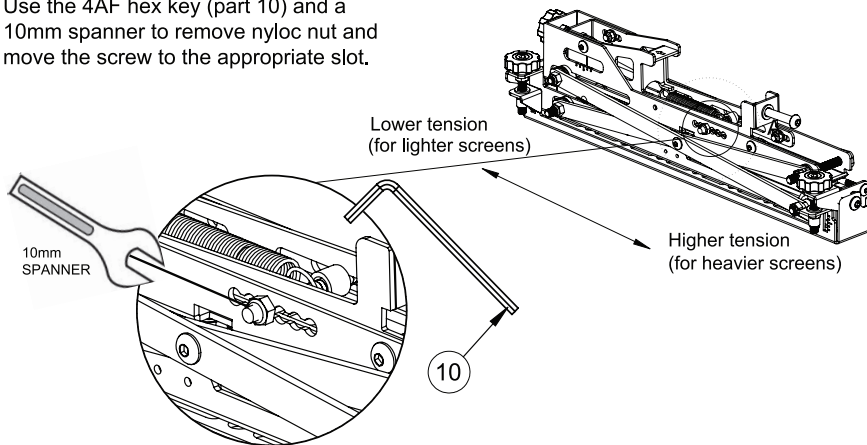
## Fix mounting rail to the wall

Fix the wall plates (part 1) to the wall using the the wall fixings (part A1 & A2).  
Once mounted, attach end caps (part 6) to mounting rail (part 5).



## SPRING TENSION ADJUSTMENT (OPTIONAL)

Use the 4AF hex key (part 10) and a 10mm spanner to remove nyloc nut and move the screw to the appropriate slot.

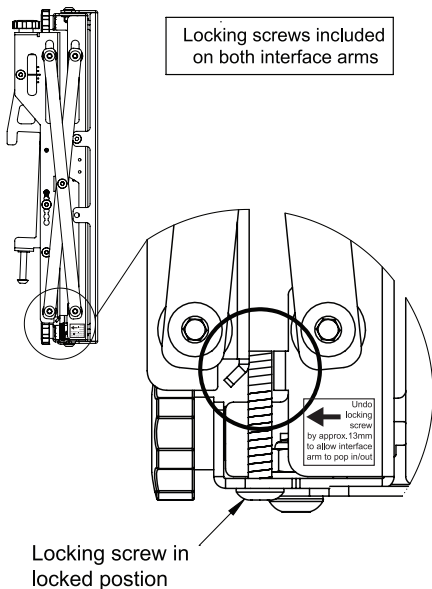


3

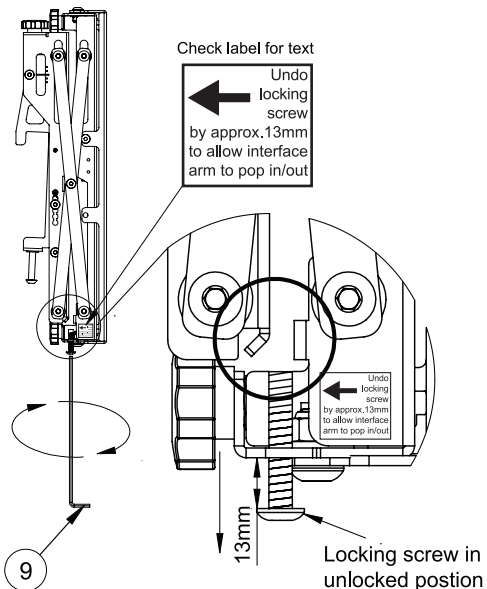
### Fix interface arms to back of screen

i. Unlock interface arms (parts 7 & 8) to allow pop-out function.

#### Locked position

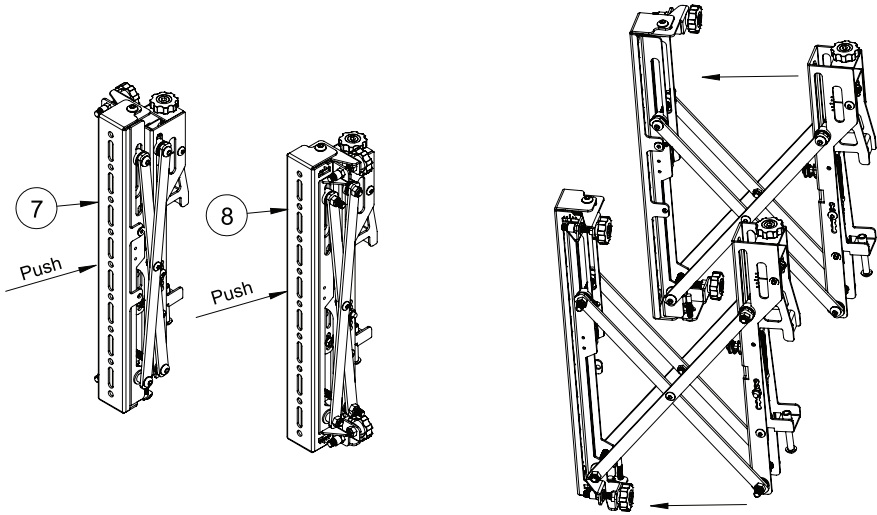


#### Unlocked position

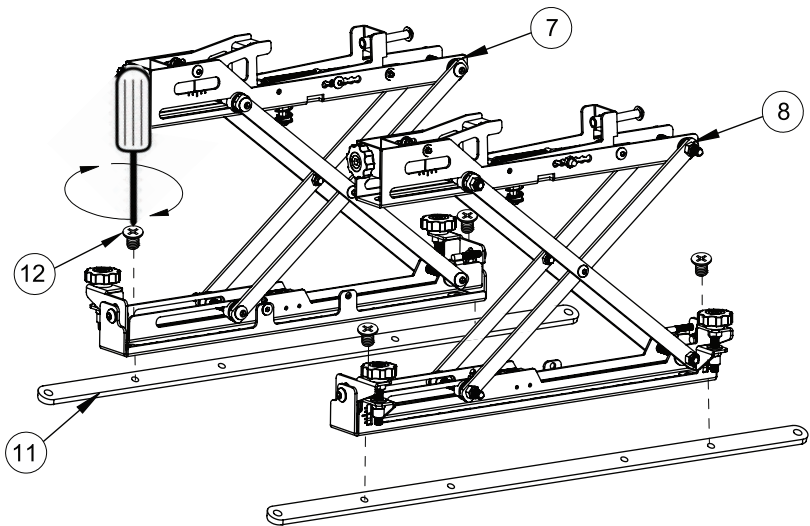




ii. Push in on both interface arms (parts 7 & 8) to pop out into open position.



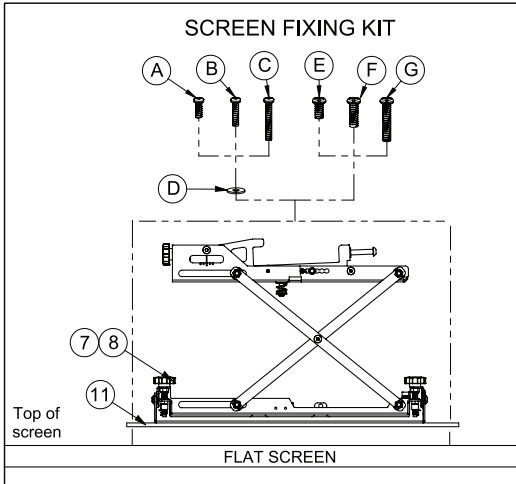
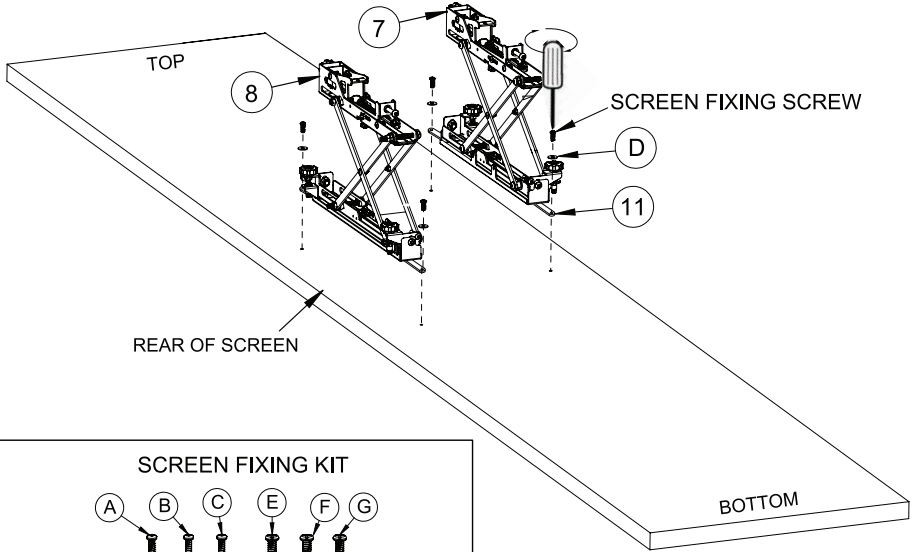
iii. Attach the 600mm adaptor arms (part 11) to the interface arms (parts 7 & 8).



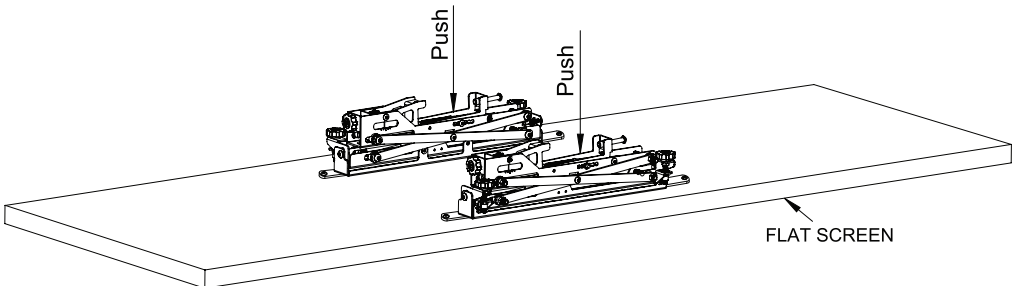
**Note:** Screens with smaller than 600 VESA fixings do not require the adaptor arms

iv. Fix interface arms to back of screen.

Portrait Orientation



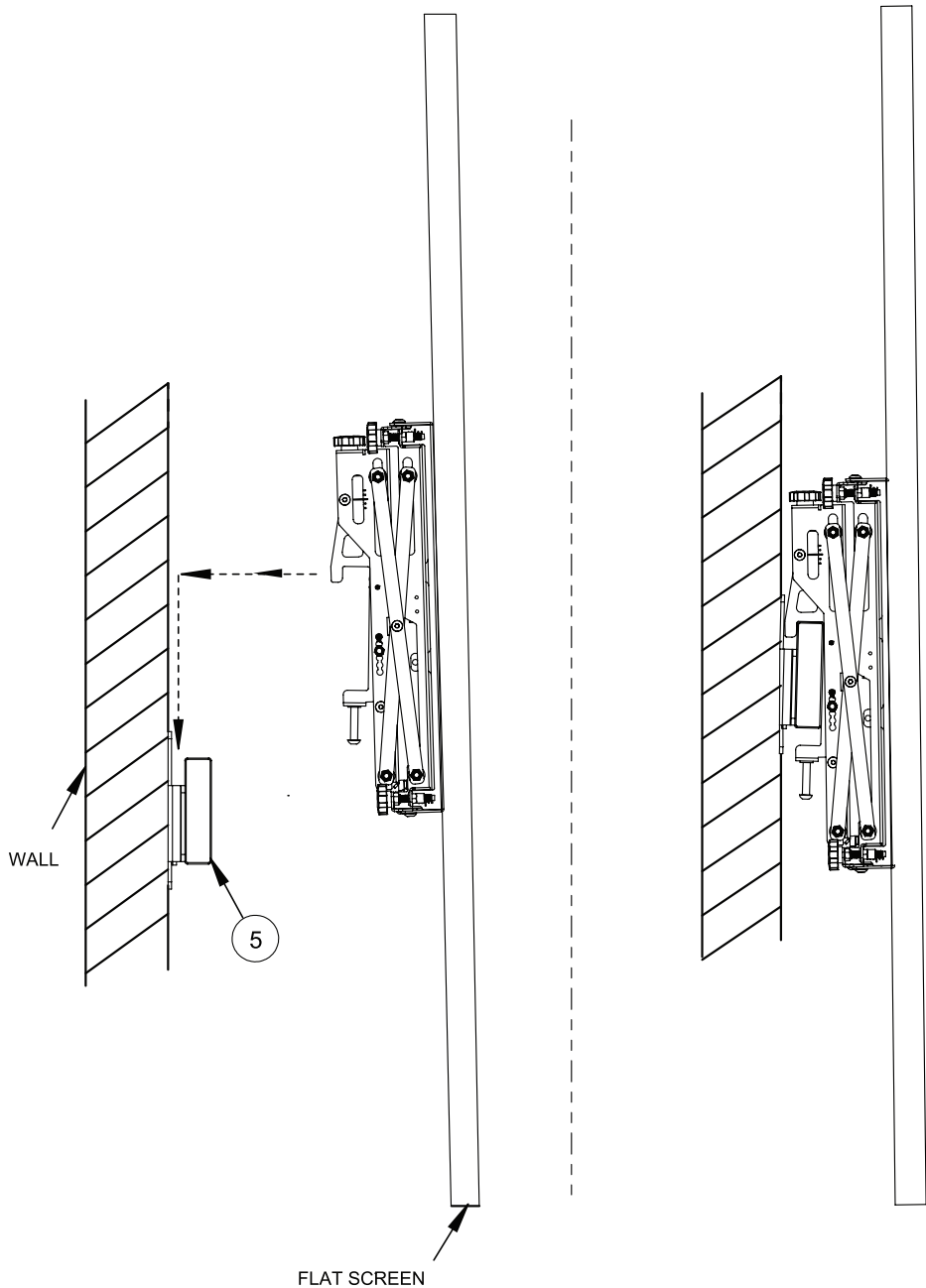
v. Close interface arms.



# 4

## Mount screen to wall

Hook flat screen onto the mounting rail (part 5).



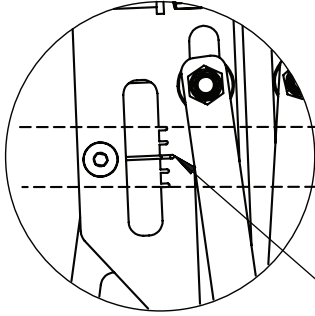
# FLAT SCREEN ALIGNMENT

## Height - Micro-Adjustment

Using a level, align the screen parallel to the floor using the height adjustment knobs.

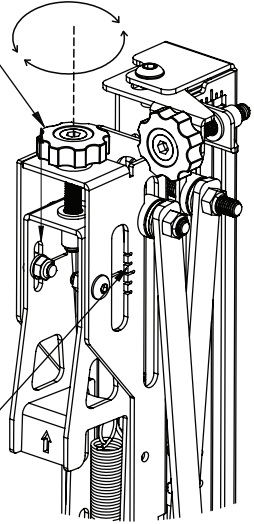
Height adjustment +/-10mm

HEIGHT ADJUSTMENT KNOB



Do not adjust height past the min and max guide lines

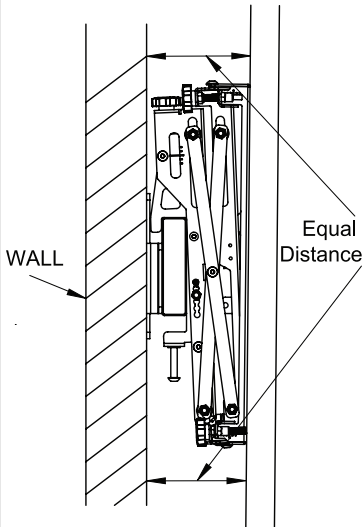
Adjustment guides to help with accurate screen alignment



## Depth - Micro-Adjustment

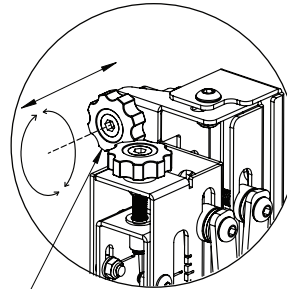
Use the depth adjustment knobs to ensure that each corner of the flat screen is equidistant from the wall.

Depth adjustment +/- 7mm

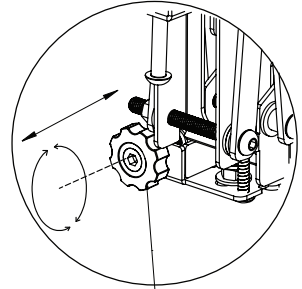


Top of interface arm

Bottom of interface arm



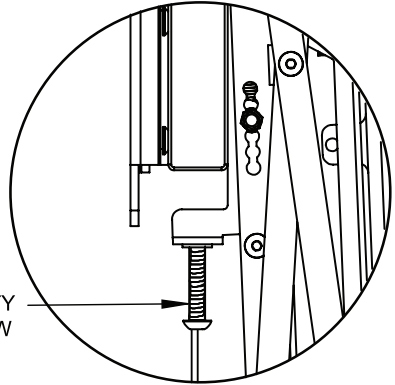
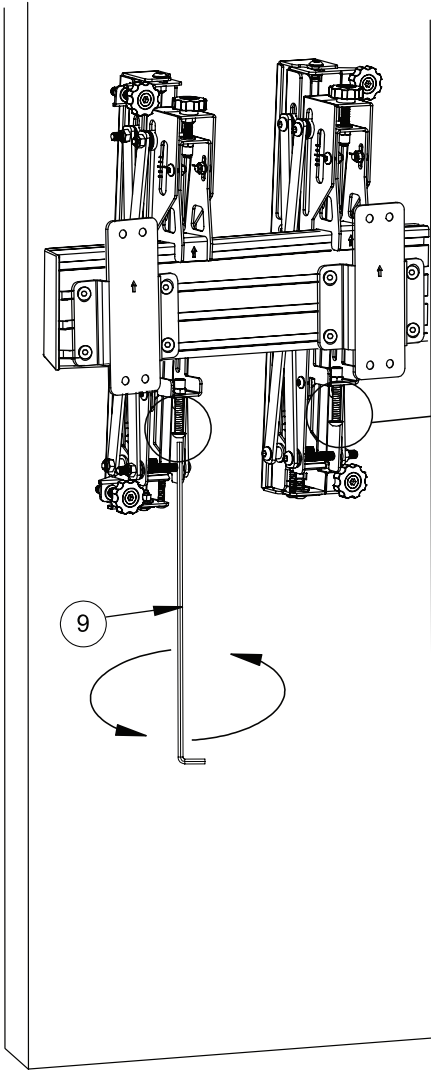
DEPTH ADJUSTMENT KNOB



DEPTH ADJUSTMENT KNOB

### Secure Screen

Secure interface arms to the rail using the safety screws on the interface arms.

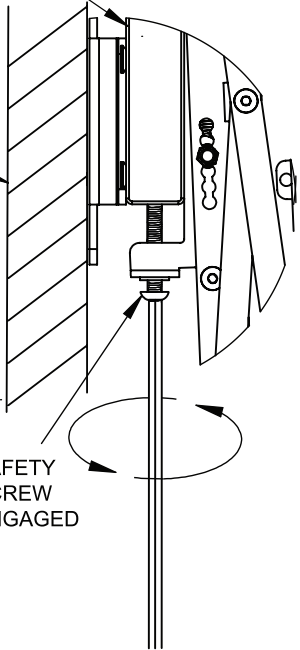


SAFETY SCREW

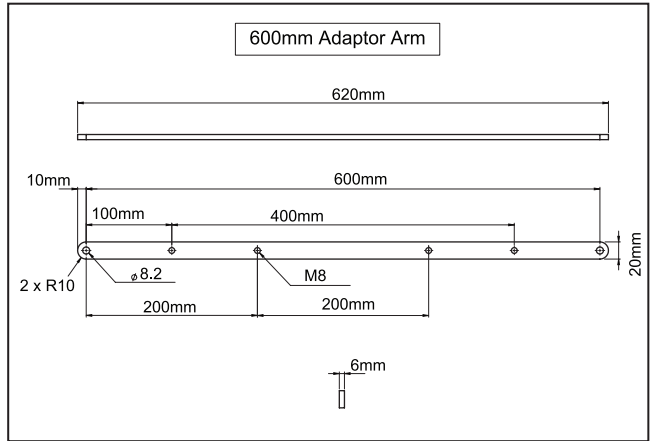
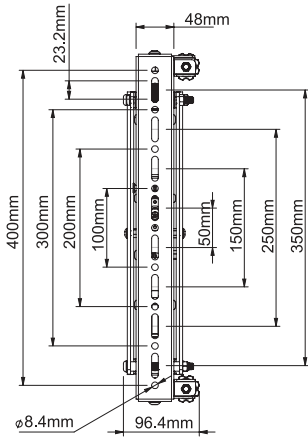
MOUNTING RAIL

WALL

SAFETY SCREW ENGAGED

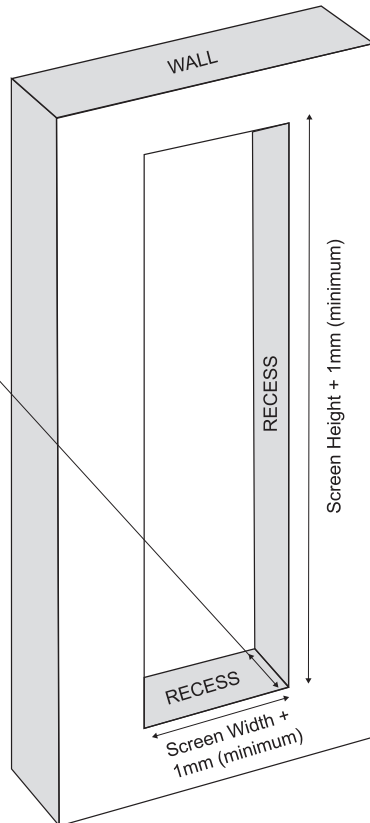


# BT9909 PRODUCT DIMENSIONS

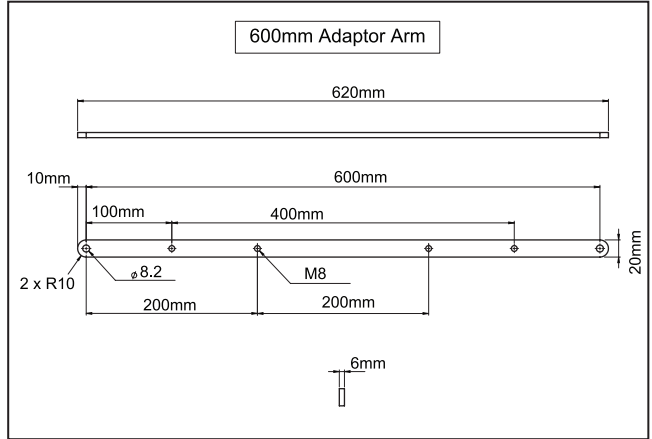
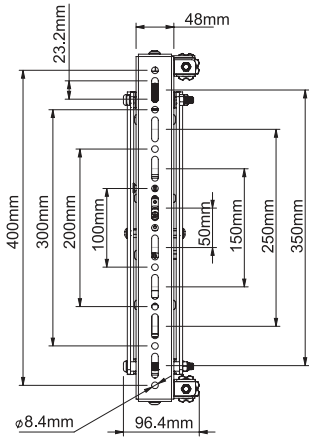


## RECESS MOUNTING

Depth of recess = 132mm\* + Depth of screen  
 \* Reduce by 6mm if 600mm adaptor arms are not used.



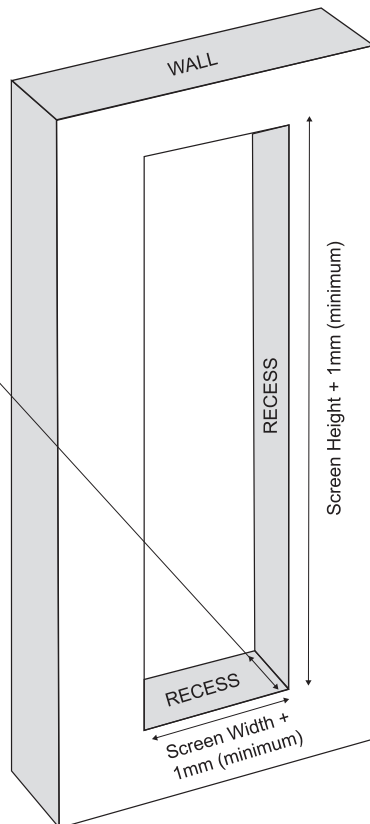
# BT9909 PRODUCT DIMENSIONS



## RECESS MOUNTING

Depth of recess = 132mm\* + Depth of screen

\* Reduce by 6mm if 600mm adaptor arms are not used.





[www.btechavmounts.com](http://www.btechavmounts.com)

## **B-TECH AUDIO VIDEO MOUNTS**

### **HEAD OFFICE**

#### **B-Tech International Limited**

Bennett House, Long March, Daventry, Northants., NN11 4NR, UK

Email: [info@btechavmounts.com](mailto:info@btechavmounts.com)

©2017 B-Tech International Design and Manufacturing Limited. All rights reserved.

B-Tech Audio Video Mounts is a division of B-Tech International Design & Manufacturing Ltd.

B-Tech & Better By Design are registered trademarks of B-Tech International Design & Manufacturing Ltd.

All other brands and product names are trademarks of their respective owners.

Photographs are for illustrative purposes only. E&OE.

AMA-BT9909-V1-0517-BTECH Made in Vietnam.